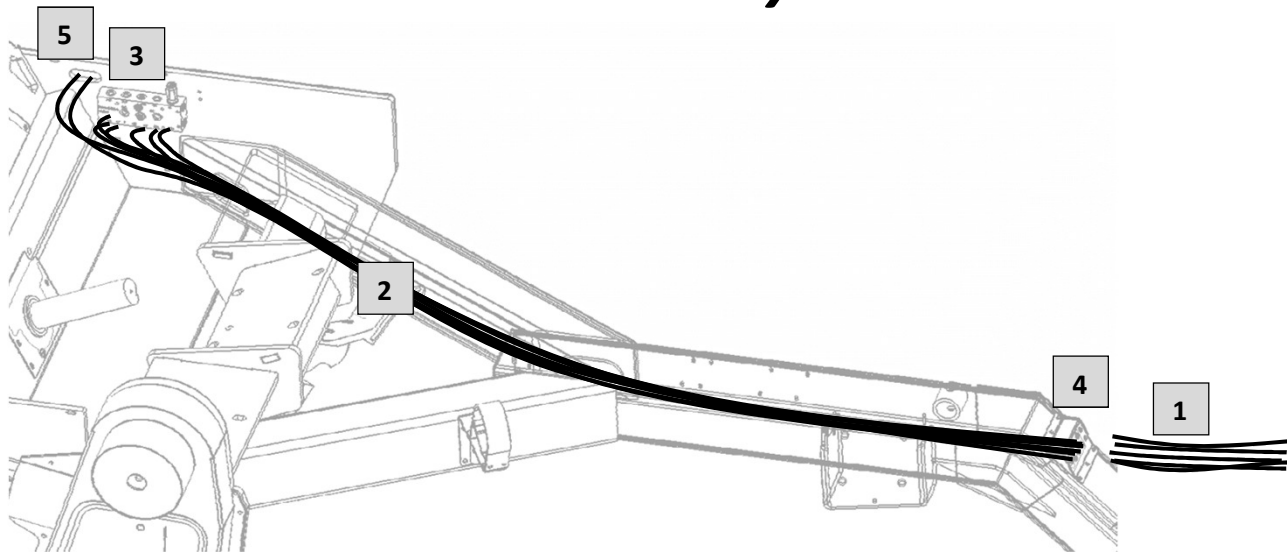
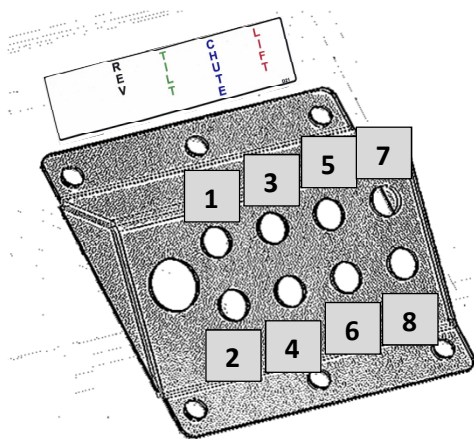
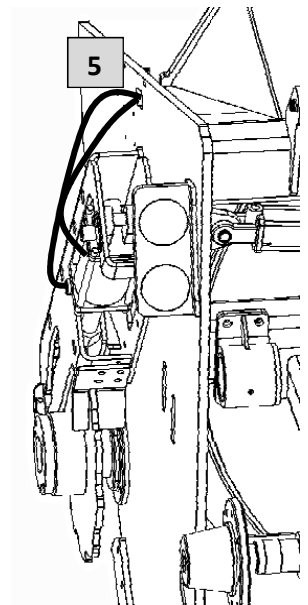


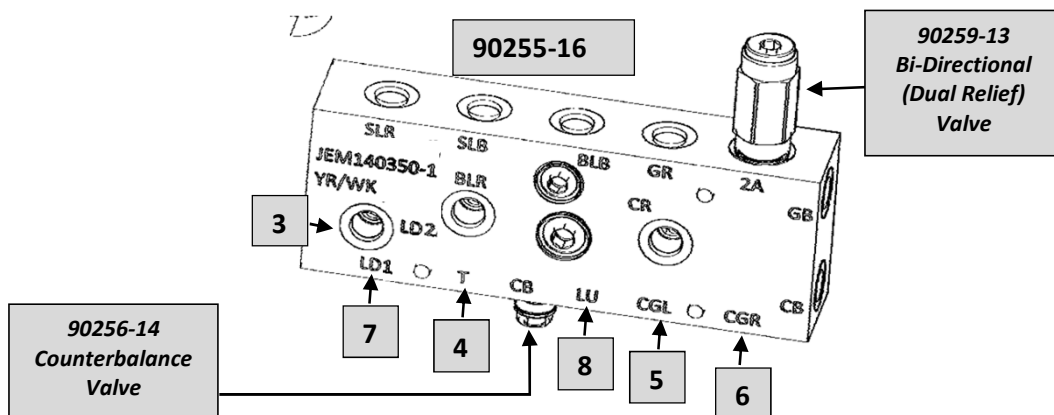
# 2016-17 Front Hydraulics



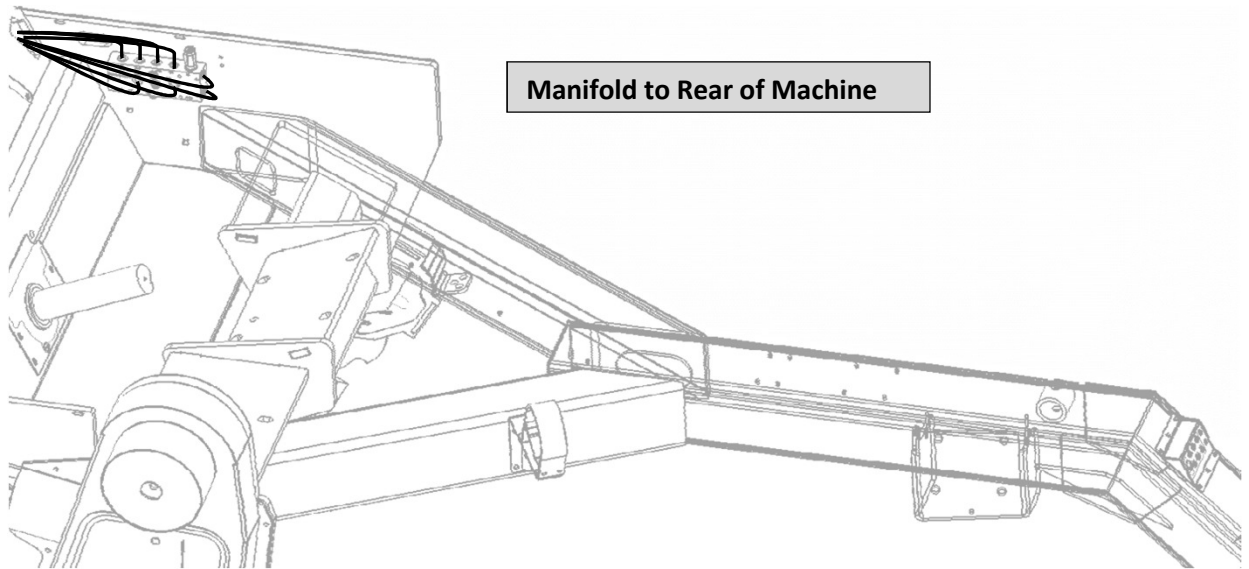
- 1) 90262-16 Front Tractor Hoses (8 Used)
- 2) 90263-16 Bulkhead to Manifold Hose & Harness Assembly
  - 2 x HH-174 Reverser Hoses
  - 6 x HH-149 Lift/Tilt/Gate/Chute Hoses
- 3) 90255-16 Hydraulic Manifold Assembly
- 4) 21000-13 Bulkhead Base
- 5) Reverser Hoses



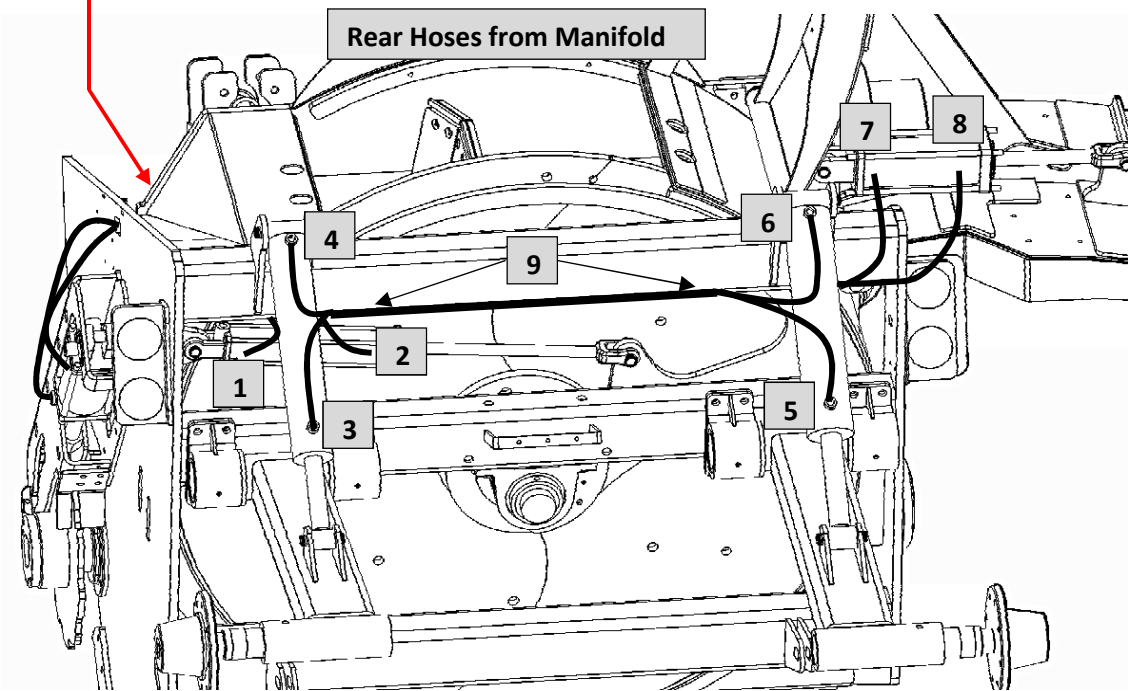
- 1) Reverser Up
- 2) Reverser Down
- 3) Tilt Up
- 4) Tilt Down
- 5) Chute Up
- 6) Chute Down
- 7) Lift Up
- 8) Lift Down



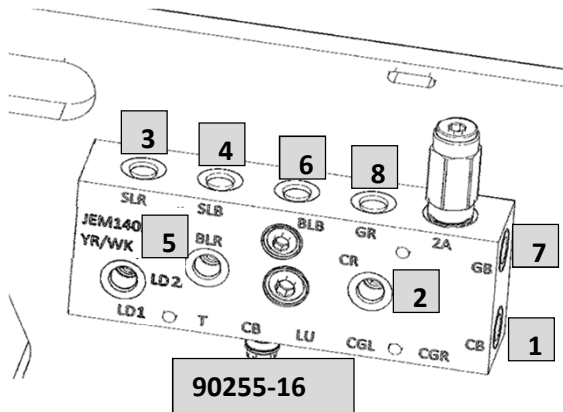
# Rear Hydraulics



Manifold to Rear of Machine







Rear Hoses from Manifold



- 1) HH-71 Gate Bore
- 2) HH-77 Gate Rod
- 3) HH-77 Small Lift Rod
- 4) HH-77 Small Lift Bore
- 5) HH-118 Big Lift Rod
- 6) HH-118 Big Lift Bore
- 7) HH-138 Chute Bore
- 8) HH-138 Chute Rod
- 9) *See to Right* Clamps

9

	90264-16	4
	90266-16	2
	90267-16	2
	90268-16	2
	90269-16	2

90255-16